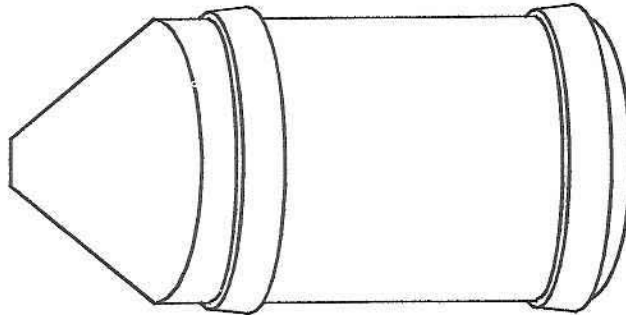


Pigs

Unlimited, Inc.

Solid Cup Foam Pig

Patented



SCFP

SIZE	LENGTH	WEIGHT	VOLUME
2"	4"	0.50	0.01
3"	5"	0.75	0.03
4"	7"	2	0.05
6"	9"	5	0.25
8"	12"	8	0.75
10"	15"	15	1.00
12"	18"	25	2.00
14"	21"	30	3.00
16"	24"	40	5.00
18"	27"	55	7.00
20"	30"	70	9.00
22"	33"	90	12.00
24"	36"	110	16.00
26"	39"	135	20.00
28"	42"	170	25.00
30"	45"	220	31.00
32"	48"	250	38.00
34"	51"	300	45.00
36"	54"	335	54.00
38"	57"	390	64.00
40"	60"	450	74.00
42"	63"	525	86.00
44"	66"	565	99.00
46"	69"	600	112.00
48"	72"	650	128.00

Specifications

Bullet-shaped cylinder with dished end, constructed from open-cell polyurethane foam with a high-grade abrasion and chemical resistant polyurethane elastomer coating on rear and two scraper cups embedded in pig.

Applications

Combining the flexibility of a foam pig with the sealing capabilities of cups, the pig is able to make longer runs because of its light weight. Used for hydrostatic testing, routine batching, buildup and product removal in the oil and gas, municipality, food and beverage, chemical, mining, cosmetic, petrochemical, and other processing industries.

Options

5 - 7 pound (model SCFP-5, SCFP-5-W, SCFP-5-P), and 8 - 10 pound (model SCFP-8, SCFP-8-W, SCFP-8-P) foam density; cups manufactured from polyurethane, neoprene, viton, epdm, buna-n or other elastomer compounds for special services; configurations including cups, discs, conical cups or different combinations; varying coating patterns; varying styles of wirebrush and plastic bristle; dual-diameter configuration; pulling rope or cable; transmitter or pinger cavity; magnets; customized diameters and lengths for special pigging applications.

email: sales@pigsunlimited.com

23802 FM 2978, Suite B3 • Tomball, Texas 77375 • Tel: 281-351-2749 • Fax: 281-351-4658 • Toll-free: 800-578-7436

www.pigsunlimited.com