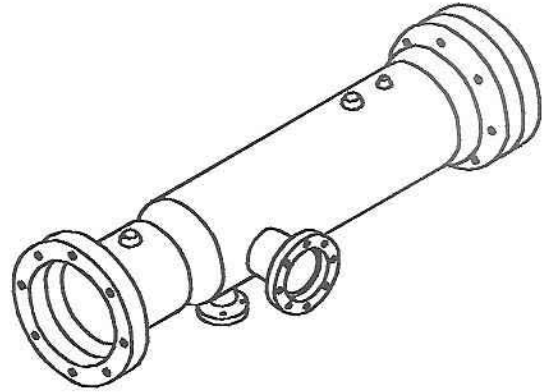
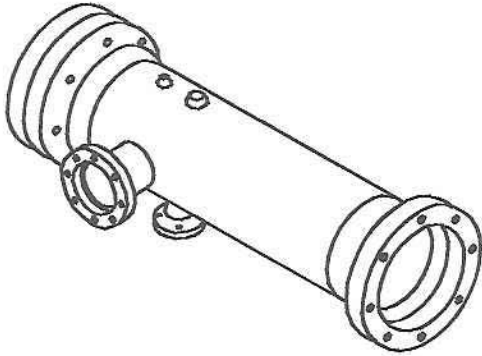


Pigs

Unlimited, Inc.

Launchers & Receivers



Launcher

SIZE	LENGTH	KICKER	VOLUME
2"	26"	0.75"	0.10
3"	28"	0.75"	0.20
4"	32"	1"	0.50
6"	53"	2"	1.50
8"	64"	2"	3.00
10"	68"	3"	5.00
12"	71"	4"	7.00
14"	74"	4"	10.00
16"	76"	4"	14.00
18"	78"	6"	18.00
20"	79"	6"	22.00
22"	81"	6"	27.00
24"	83"	8"	33.00
26"	90"	8"	42.00
28"	101"	8"	55.00
30"	111"	10"	69.00
32"	115"	10"	82.00
34"	124"	10"	100.00
36"	130"	12"	117.00
38"	133"	12"	133.00
40"	139"	12"	154.00
42"	144"	14"	176.00
44"	151"	14"	203.00
46"	158"	14"	232.00
48"	163"	14"	261.00

Receiver

SIZE	LENGTH	BYPASS	VOLUME
2"	28"	0.75"	0.10
3"	31"	0.75"	0.20
4"	35"	1"	0.50
6"	57"	2"	1.50
8"	68"	2"	3.00
10"	72"	3"	5.00
12"	76"	4"	8.00
14"	80"	4"	11.00
16"	82"	4"	15.00
18"	84"	6"	19.00
20"	86"	6"	24.00
22"	88"	6"	30.00
24"	90"	8"	36.00
26"	97"	8"	46.00
28"	108"	8"	59.00
30"	121"	10"	76.00
32"	125"	10"	89.00
34"	134"	10"	108.00
36"	140"	12"	126.00
38"	143"	12"	143.00
40"	151"	12"	168.00
42"	156"	14"	191.00
44"	163"	14"	219.00
46"	170"	14"	250.00
48"	175"	14"	280.00

Specifications

Carbon-steel construction equipped with mating flange, chamber access door, and various connections including vent, gauge, launch, bypass, and detector.

Applications

Used for proper launching and retrieval of foam pigs, steel pigs, solid-cast pigs and spheres.

Options

Carbon-steel, stainless-steel, fiberglass, or polyethylene construction; flanged or weld-end mating; flange-to-flange or closure (threaded or quick-opening yoke); flanged or thread-o-let connections; pressure ratings from ANSI class 150 to 2500; ASME code stamp; manual or automated operation; included pig detector; skid mounting; launching/receiving tray with jib crane and hoist; complete system including all valves and other accessories for turn-key installation; varying lengths for accommodating various pigs and pigging procedures.

email: sales@pigsunlimited.com

23802 FM 2978, Suite B3 • Tomball, Texas 77375 • Tel: 281-351-2749 • Fax: 281-351-4658 • Toll-free: 800-578-7436

www.pigsunlimited.com